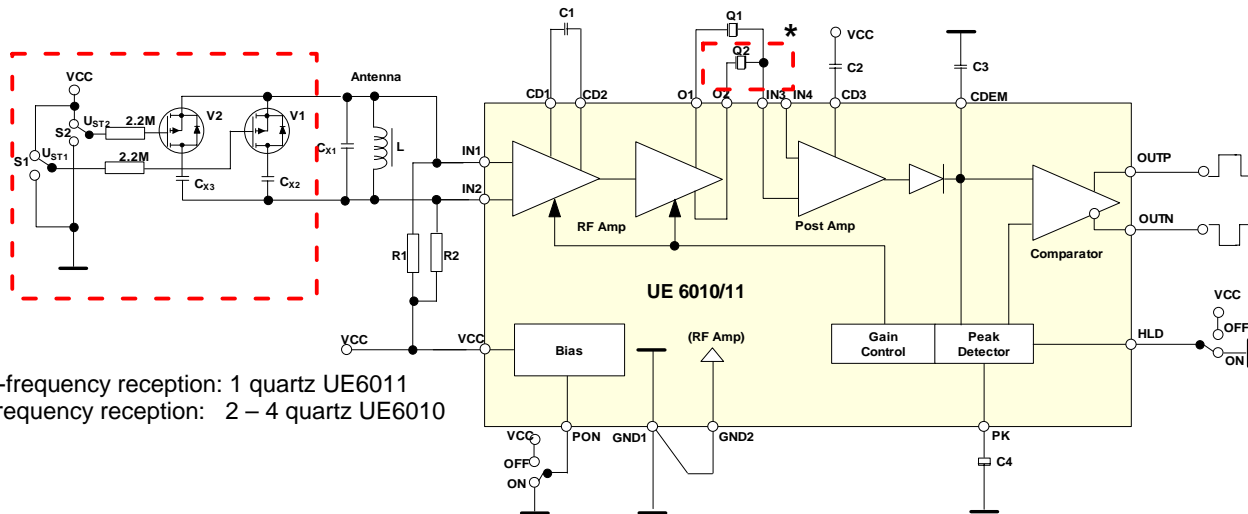


# Time code receiver IC UE 6010/6011

Order number: UE6010DIT (Multi-frequency)  
 UE6011DIT (Single-frequency)

Time code receiver for amplitude modulated time signals from 40kHz to 100kHz for radio controlled clocks.



\* Single-frequency reception: 1 quartz UE6011  
 Multi-frequency reception: 2 – 4 quartz UE6010

### Technical characteristics:

Parameters	Testconditions	Symbol	UE 6010		UE 6011		Unit.
			min	max	min	max	
Operating temperaturerange	$V_{CC} = 3V$	T	0	50	0	50	$^{\circ}C$
Operation voltage		$V_{CC}$	1,5	3	1,5	3	V
Power consumption active mode idle mode	$V_{CC} = 3V, U_{PON} = 0V$	$I_{CC}$		500		500	$\mu A$
Reception frequency							
Reception sensitivity				0,5		0,8	$\mu V$
Output signal							