

# Four-winding coil antenna RAA 4

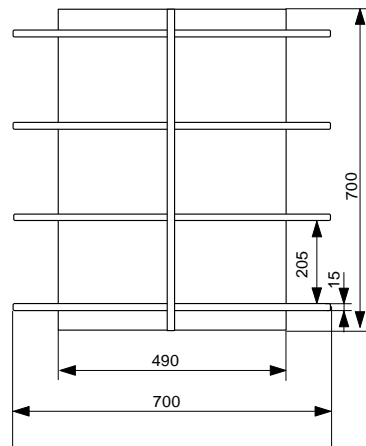
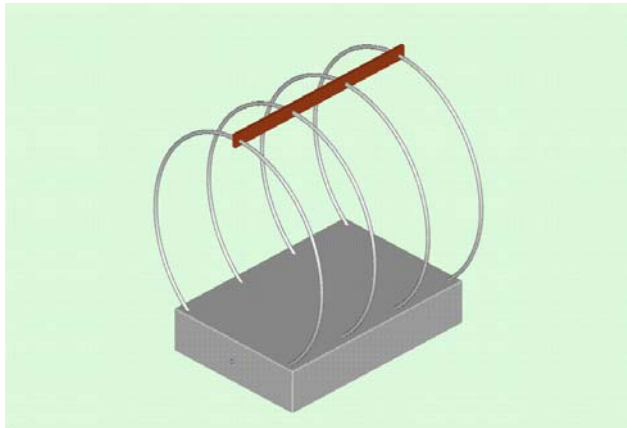
Order number: MAX 05010

The 4-winding coil antenna for the time code generator ZZG can generate defined field strength in the inner area of the antenna to simulate the DCF77, MSF, WWVB and JJY senders.

**Dimensions :**

- Complete device: 700mm x 730mm x 790mm
- Base : 490mm x 700mm x 130mm

(Color: grey)



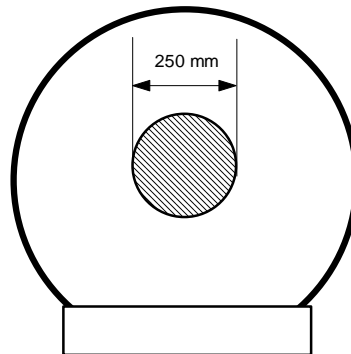
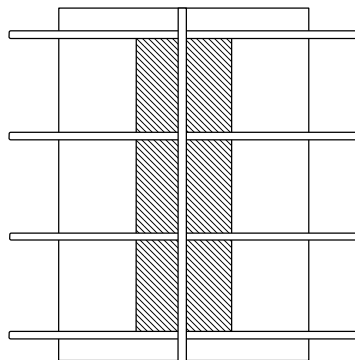
**Technical characteristics:**

Parameters	Symbol	min	typ	max	Unit.
Operating temperature Range	T	0		50	0C
Input impedance	R <sub>I</sub>		390		Ohm
Diameter of the winding	D		700		mm
Weight				1,4	kg

**Description:**

- The antenna is driven by a time code generator with a 50Ohm generator impedance.
- The main field strength in the center of the coil antenna is adjusted by the ZZG in a range from 1uV/m to 10V/m.
- Within a radius of about 15cm from the center of the antenna windings and till a distance of about 10cm before the radial ends of the antenna the deviation of the field strength is max. 5%.

**Field strength simulation:**



Area with a field strength distribution  $\Delta E > \dots$ dB