

Microcontroller module MCM DCF-TG

Order number: FBD 14130

The MCM module decodes the DCF time signal and puts out the checked time and date information to an RSR232 compatible interface.

A special command set (s. datasheet) was developed for the communication between the module and a host computer. To save power the MCM module is able to control the time code receiver unit by the PON pin.

Pin configuration :

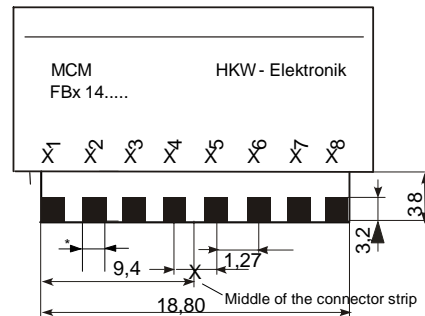
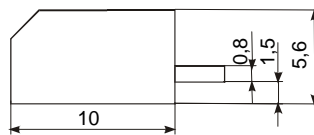
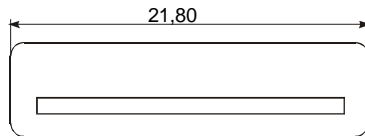


Original size



- X1 - V_{DD} (bzw. U_B)
- X2 - RS232-IN
- X3 - DCF-IN
- X4 - DCF-OUT (with Schmitt-trigger)
- X5 - RS232-OUT
- X6 - PON
- X7 - V_{SS} (bzw. GND)
- X8 - Switch output

Dimensions: [mm]



Technical characteristics: (Test conditions: V_{DD}=3,0V ; V_{SS}=0V; (+ for current into the module))

Parameters	Symbol	minimal	typisch	maximal	Unit
Operating temperature range	T _A	-10		60	°C
Power supply	V _{DD}	2,4		3,6	V
Power consumption					
- normal mode	I _{DD}	15	20	50	µA
- receive mode		0,5	0,7	1,0	mA
Input voltage HIGH	V _{IH}	0,8*V _{DD}		V _{DD}	V
Input voltage LOW	V _{IL}	V _{SS}		0,2*V _{DD}	V
Output current HIGH (VOH=2,4V) *	I _{OH}	- 0,8	- 1,3	- 2,1	mA
Output current LOW (VOL=0,6V) **	I _{OL}	1,5	2,4	3,5	mA

* for connector pads: X4, X5, X6

** for connector pads: X4, X5, X6, X8

Model :

Model	Input signal	Note
MCM DCF TG	DCF77 ; 77,5 kHz	Extended temperature range -10 - +60 °C

