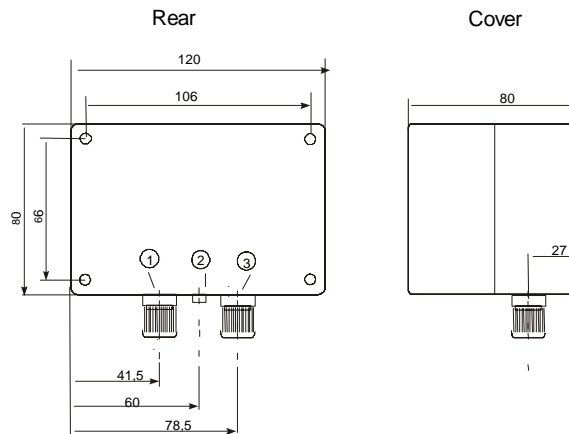


Radio controlled clock for industrial application IFU DCF

Order number: CID 03001

The radio controlled clock for industrial application processes the time signal received by an intelligent active antenna to synchronize and control its internal time and date.
The time and date are put out via an RS232 interface cable with a 9-pole D-Sub plug.

Dimensions :



Connections :

- 1 - Intelligent active antenna
- 2 - DC adapter
- 3 - RS23 interface

Technical characteristics :

Power supply	8 - 30V
Power supply device	DC adapter, 220V/9VDC, I<50mA
Reception sensitivity	< 50uV/m
Start of the radio reception	a/ automatically b/ by a command from the PC
RS232 interface IFU <-> connected PC	Serial interface at 300bps
Operating temperature range	-5°C - 50°C
Connector cable	Grey; 1,5m; 9-pole Sub-D plug

Model :

Model (IFU xxx)	Input signal	Note
IFU DCF	DCF77 ; 77,5 kHz	