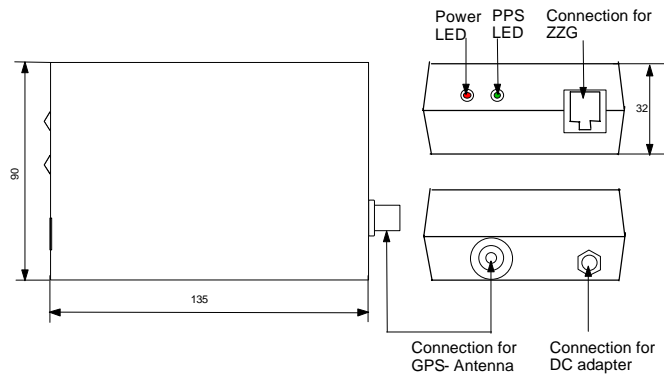


GPS – Receiver

Order number: MAG 01010

Standard GPS receivers are used for world wide position determination. Since each satellite continuously sends the UTC time (Greenwich time) using an atomic clock, this time can be received everywhere on the earth. The developed GPS receiver receives the satellite signals and automatically calculates the exact local time, also the switching to summer/winter time for a defined time zone. The calculated local time is put out as a DCF77 protocol which is used to control main clocks or time service systems, no DCF77 antenna is needed.

Dimensions :



Technical characteristics:

Parameters	Symbol	min	typ	max	Unit
Operating temperature range	T	-25		60	⁰ C
Power supply	U _B	10		15	V
Power			4		VA
GPS receiver system				12 Kanal	
Weight				0,730	kg