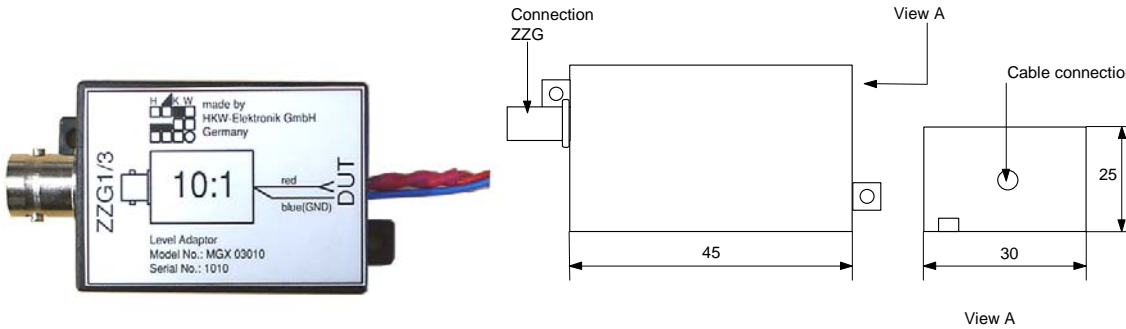


Transmitter and level adaptor ANP-UEB10:1

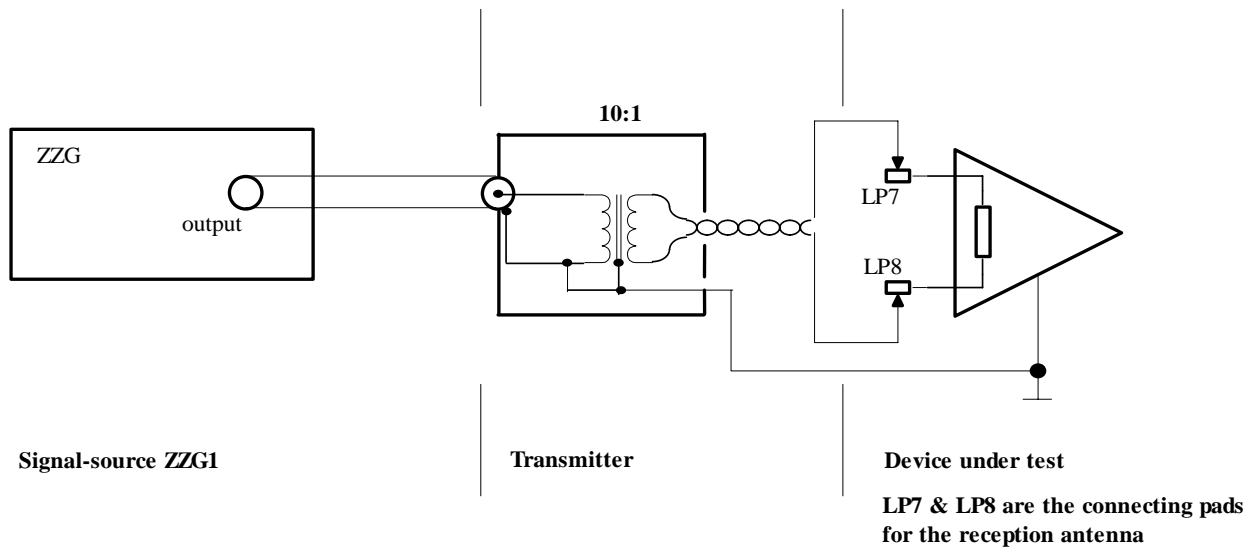
Order number: MGX 03010

The transmitter is a connecting part between the output signal of a ZZG and a radio controlled device under test for a symmetrical and potentialfree encoupling of the generated time code signal when a direct connection is used. Additionally the ZZG signal level is reduced.

Dimensions :



Test circuit :



Technical characteristics :

Parameters	Symbol	min	typ	max	Unit
Operating temperature range	T	0		50	°C
Input resistance			50		Ohm
Output resistance		10			Ohm
Frequency range		40		77,5	kHz
Transmission ratio			10:1/100:1		

Model :

Model (ANP-UEB x:1)	Transmission ratio	Note
ANP-UEB 10:1	1:10	